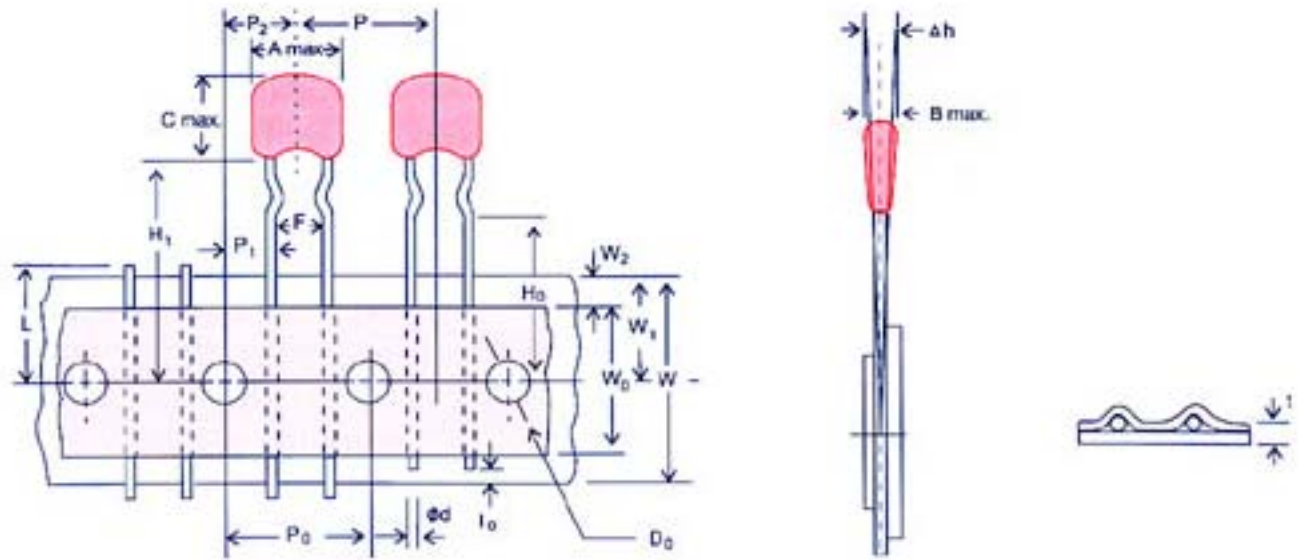


RADIAL LEAD TAPING SPECIFICATIONS

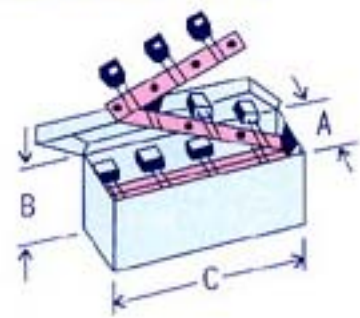
TAPE & REEL FOR RADIAL LEAD INDUCTIVE CAPACITOR



(Unit:mm)

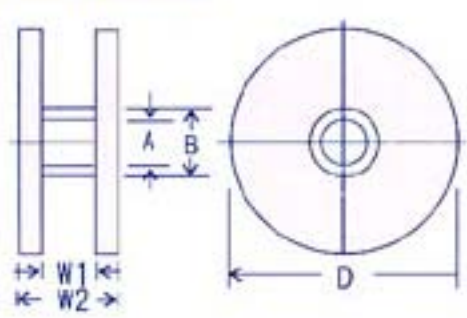
ITEM	SYMBOL	SPECIFICATIONS		REMARKS
		VALUE	TOLERANCE	
Pitch of component	P	12.7	± 1.0	
Feed hole pitch	P ₀	12.7	± 0.3	Cumulative pitch error; 1.0mm/20pitch
Feed hole center to lead	P ₁	3.85	± 0.7	To be measured at bottom of clinch
Hole center to component center	P ₂	6.35	± 1.3	
Lead to lead distance	F	5.0	+1.0 / -0.5	
Component alignment F-R	Δh	0	± 2.0	At center of body
Tape width	W	18.0	+1.0 / -0.5	
Hole position	W ₁	9.0	± 0.5	
Lead-wire clinch height	H ₀	16.0	± 0.5	
Feed hole diameter	D ₀	4.00	± 0.3	
Total tape thickness	t	0.7	± 0.2	
	H ₁	20.0	± 7.5	
	I ₀	7.0 MAX	± 0.75	
	W ₀	12.5 MIN	0.492 MIN	
	W ₂	3.00 MAX	0.118 MAX	
	L	11.0 MAX	0.433 MAX	

Ammo Box Packing



dimensions
 A 52mm
 B 260mm
 C 330mm

Reel Packing



A 15mm
 B 80mm
 D 370mm
 W1 45mm
 W2 55mm