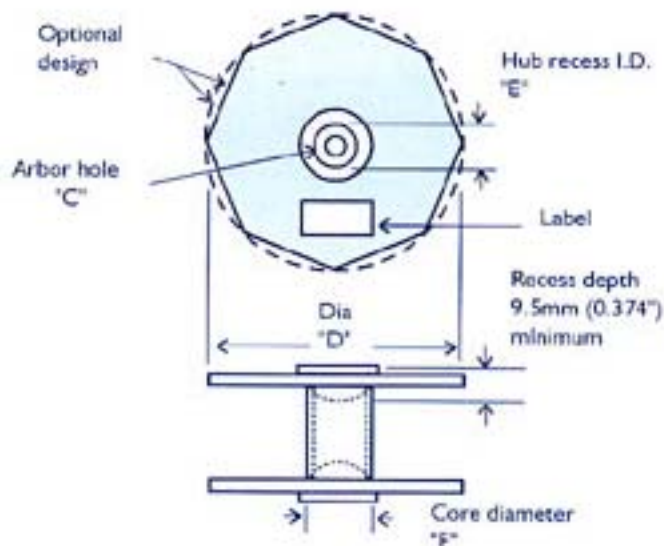
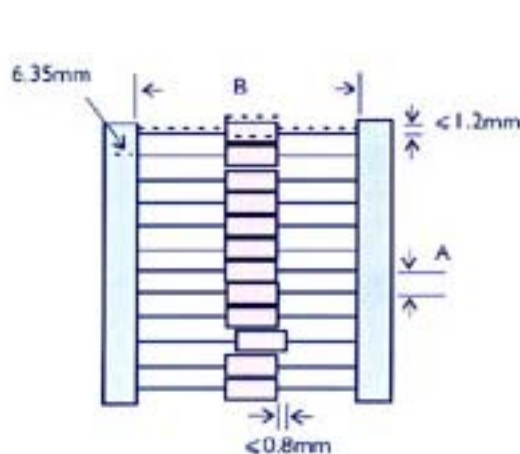


AXIAL LEAD TAPING SPECIFICATIONS Film Capacitors

TAPE & REEL OF AXIAL LEAD CAPACITORS FOR AUTOMATIC INSERTION EIA STANDARD RS-296-D.



CAPACITOR BODY DIAMETER	CAPACITOR PITCH "A" $\pm 0.5\text{mm}$ (0.020")
$\le 5\text{mm}$ (≤ 0.197 ")	5mm or 0.200"
5.01~10mm (0.197~0.394")	10mm or 0.400"
10.01~15mm (0.394~0.591")	15mm or 0.600"

CAPACITOR BODY LENGTH	INSIDE TAPE SPACING "B" $\pm 1.5\text{mm}$ (0.059")
$\le 16.50\text{mm}$ (≤ 0.65 ")	52.4mm or 2.062"
16.51~28.45mm (0.651~1.12")	63.5mm or 2.500"
28.46~37.00mm (1.121~1.45")	73.0mm or 2.874"

REEL DIMENSIONS

C	D	E	F
14.5mm(0.570")	381mm(15")	54.2mm(2.130")	61.0mm(2.401")

MAXIMUM QUANTITY OF COMPONENTS ON REEL

Capacitor Body Dia.	Pitch	Quantity pcs/reel
$\le 5.0\text{mm}$	5mm	4,000 max.
5.1~7.0mm	10mm	2,000 max.
7.1~9.5mm	10mm	1,000 max.